






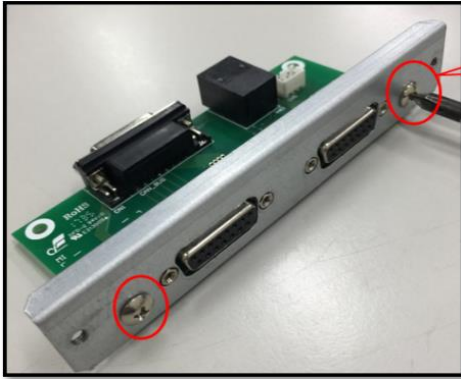


**Content of the kit**

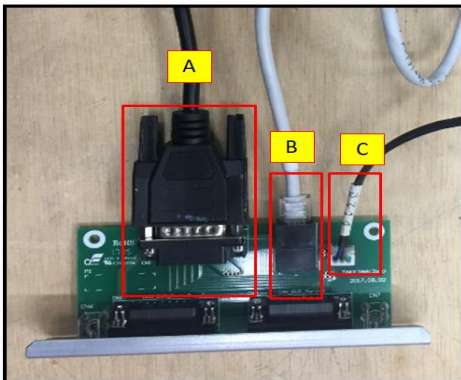
Items	Description	Picture	Q'ty
1	Bracket		1
2	PCB TAE3xx		1
3	Cable A 40cm		1
4	Cable B 70cm		1
5	Cable C 20cm		1
6	Cable D 150cm Parallel Communication Cable		1
7	Screw		4

## Installation Procedure

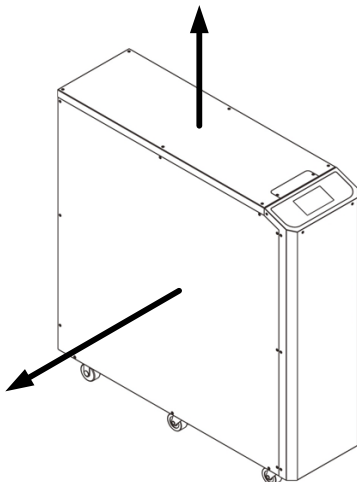
Step 1—Use 2 screws to fix the Bracket on PCB TAE3xx



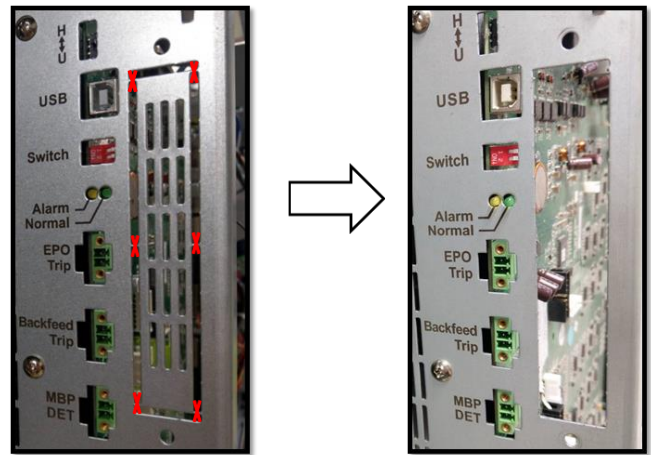
Step 2—Connect Cable A, B & C to PCB TAE3xx



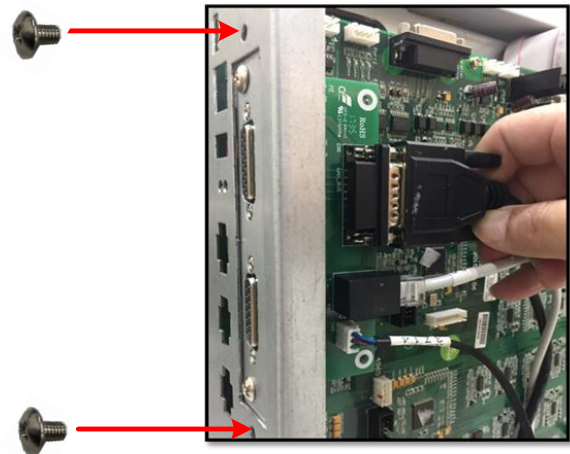
Step 3—Remove the top and left side cover of UPS.



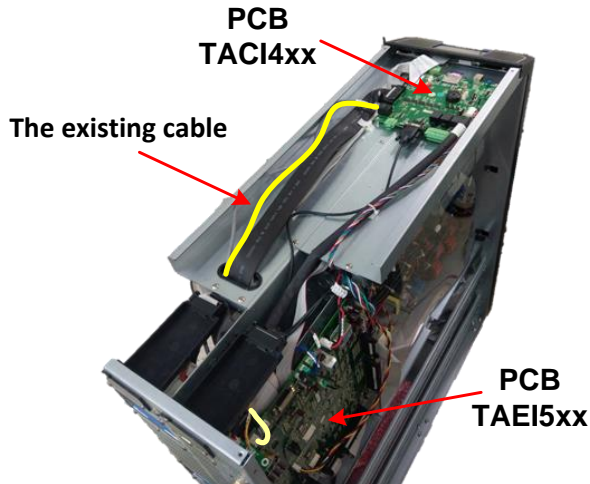
Step 4—Cut off the metal sheet on the rear panel of UPS.



Step 5—Install the PCB TAE3xx with the Bracket to the rear panel of UPS. Fix it with 2 screws.

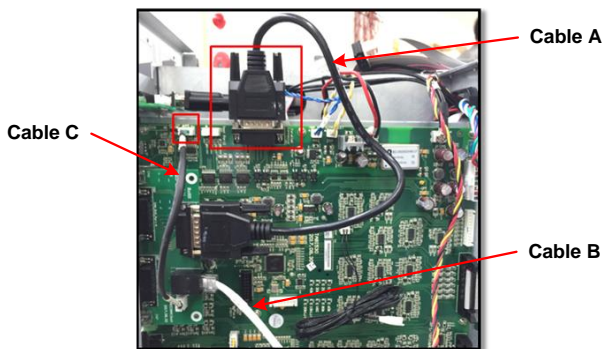


Step 6—Take out the existing cable between TAEI5xx CN16 and TACI4xx CN1.

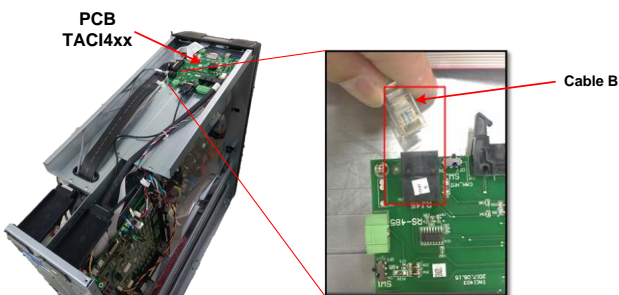


Step 7—Connect Cable A to TAEI5xx CN7

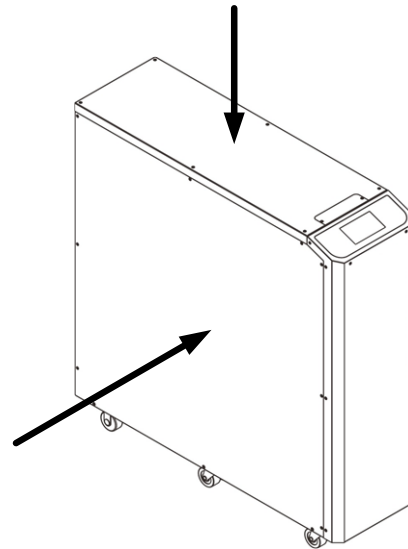
Step 8—Connect Cable C to TAEI5xx CN16



Step 9—Connect Cable B to TACI4xx CN1



Step 10—Install the top and left side cover of UPS.



### Safety and guarantee terms

- The kit must be installed only with the UPS turned OFF and UNPLUGGED FROM THE MAINS.
- The Manufacturer declines all liabilities, direct and indirect, resulting from:
  - o disregard for the instructions by the skilled technician and a use of the card different from the one stated in the manual;
  - o use by personnel who have not read and understood the contents of the manual;
  - o a use not conforming to the specific laws existing in the country of installation;
  - o changes made to the equipment, operating logic or tampering;
  - o repairs unauthorized by the Technical Service Assistance of LEGRAND;
  - o damages caused by willful misconduct, gross negligence, exceptional events, fire or infiltration of liquids.